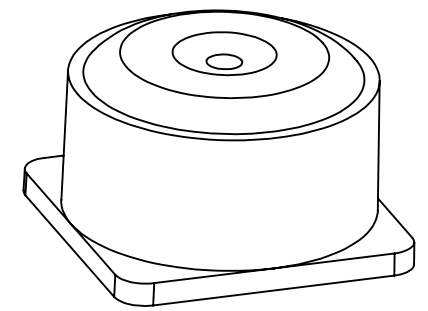
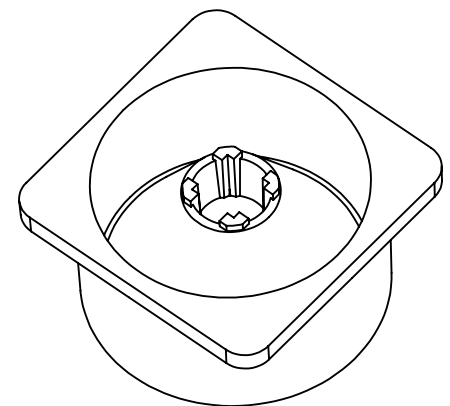
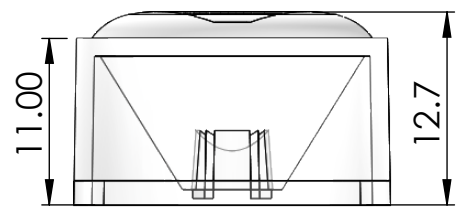
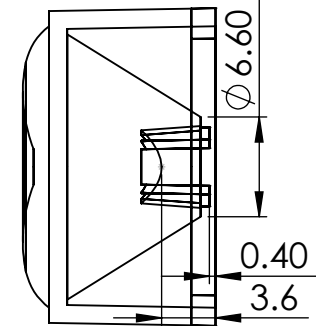
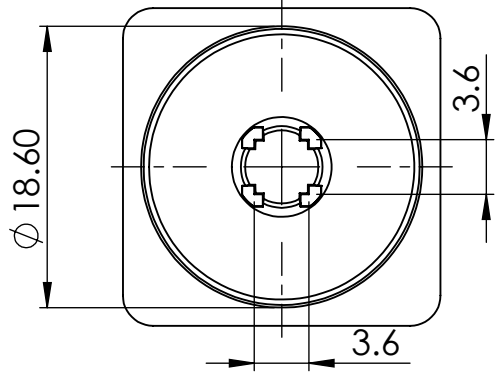
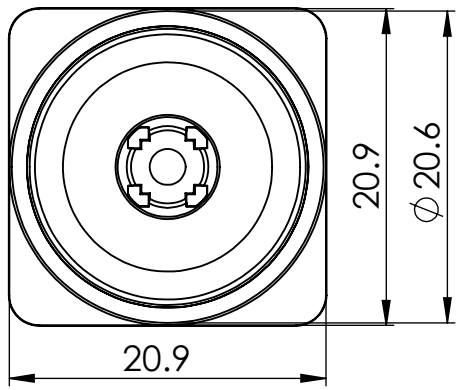


6 5 4 3 2 1



GENERAL INFORMATION:-

General Information

1. Lens material - Optical PC
 2. Operating Temperature range $-40^{\circ} \sim +110^{\circ}$ (Upper Limit $+130^{\circ}$)
 3. Storage Temperature range $-40^{\circ} \sim +110^{\circ}$ (Upper Limit $+130^{\circ}$ C)
- Average transmittance in visible spectrum 400nm-700nm > 90%

Usage and Maintenance:

1. If necessary, clean lenses with mild soap, water and soft cloth.
2. Never use any commercial cleaning solvents like Alcohol.
3. Handle and install lenses with wearing gloves, skin oils may Damage lenses or its optical characteristics.

Open Tolrence $\pm 0.2\text{mm}$

UNLESS OTHERWISE SPECIFIED: DIMENSIONS ARE IN MILLIMETERS SURFACE FINISH: TOLERANCES: LINEAR: ANGULAR:			DEBURR AND BREAK SHARP EDGES	DO NOT SCALE DRAWING	REVISION
OPTIKS KARKHANA INDIA PVT. LTD.					
DRAWN	Pradyumna Shandilya	SIGNATURE	DATE	Part Name:- Narrow Beam 9°	
CHK'D	Kapil Kaushik		17/02/2019	Drawing Number:- OKIPL-115 Rev.00	
APPV'D	Kapil Kaushik		17/02/2019	Part Number:- OK115-3535-1X1-9°	
MATERIAL: POLYCARBONATE				SCALE:2:1	A4
WEIGHT:				SHEET 1 OF 1	

6 5 4 3 2 1

D

D

C

C

B

B

A

A